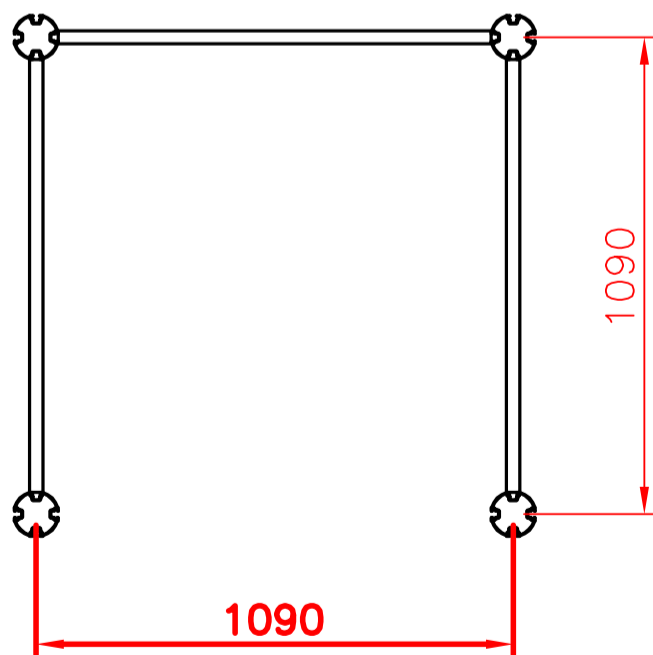
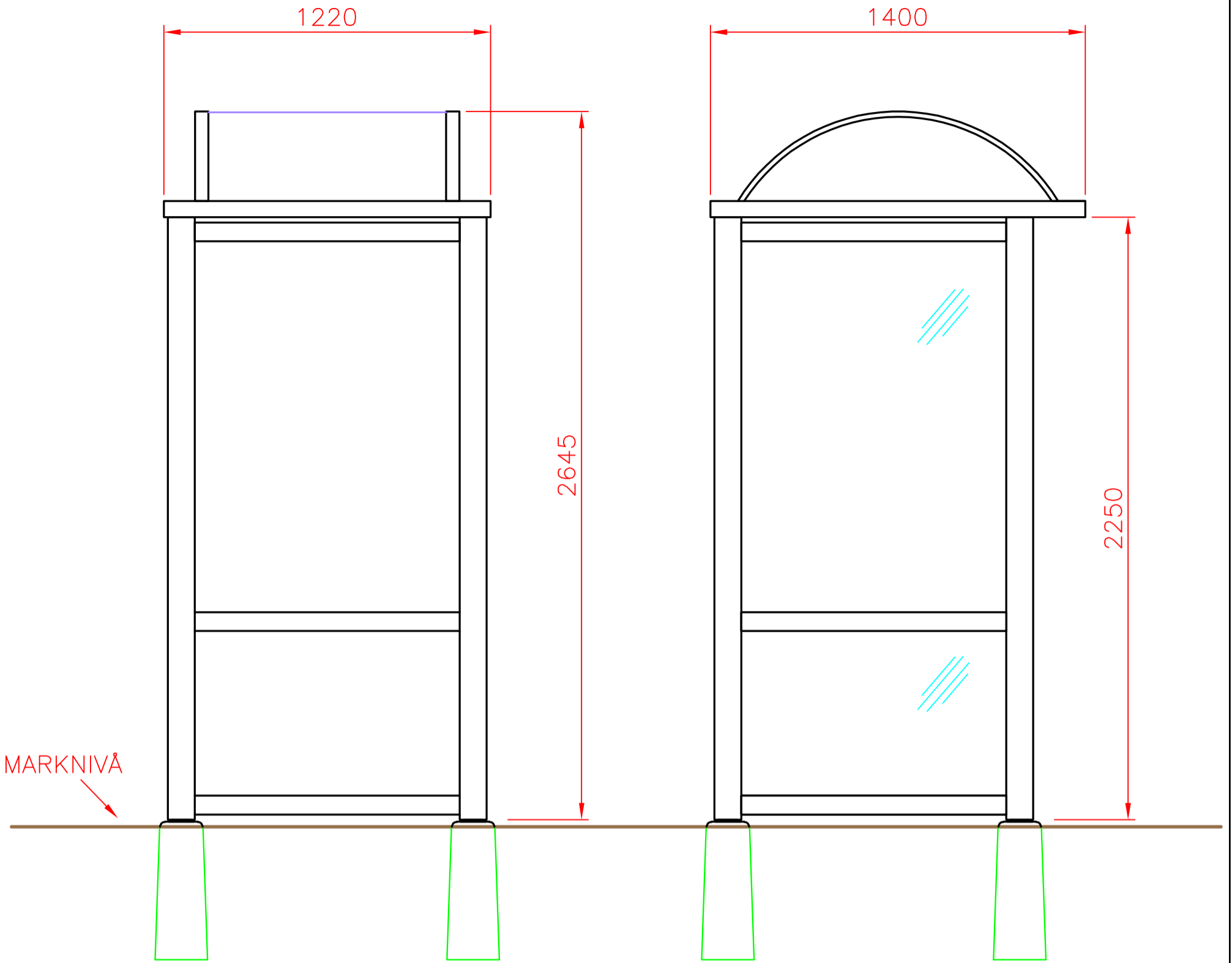


Nr.	Ant.	Ändring och/eller medd.-nr	Datum	Inf.	Godk.
-----	------	----------------------------	-------	------	-------



WELAND ALUMINIUM AB
 This document must not be copied without our written permission and the contents thereof must not be imparted to a third party nor be used for any unauthorized purpose. Contravention will be prosecuted.

Det.nr	Ant.	Benämning			Material	Mod.nr ämne Dimension	Anm.
Konstr. —	Ritad AL	Kop. —	Kontr. —	Stand. —	Format A4	Skala 1:25	Generell tolerans —
 BJÖRNSTORPSVÄGEN 2 TFN 0472-44500 342 30 ALVESTA		VÄDERSKYDD FÖR BILJETTAUTOMAT PÅ BETONGPLINT 200-01001090				Objektnummer —	Datum 090129
						Ritningsnummer VS ARCUS 1: PLINT	