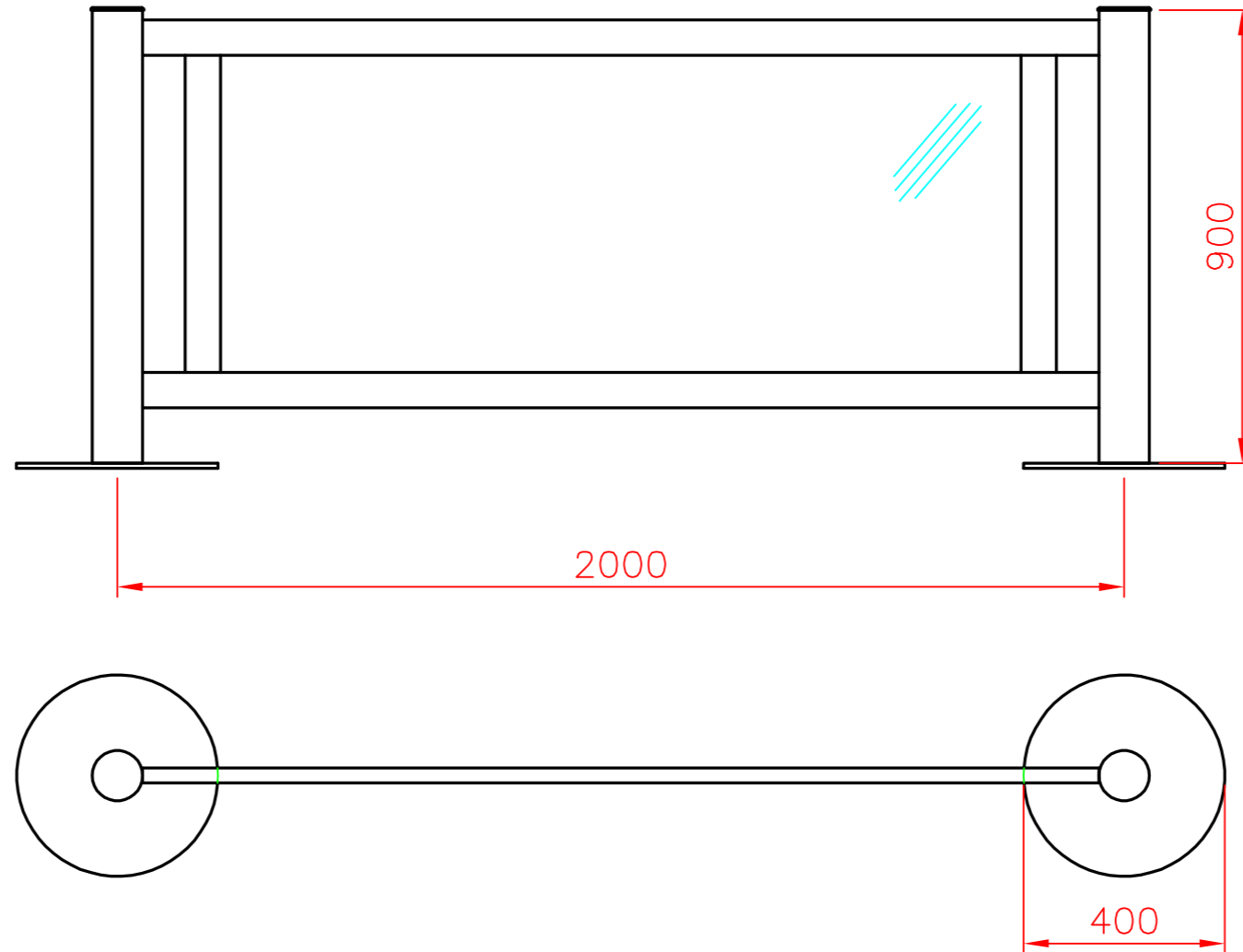


This document must not be copied without our written permission and the contents thereof must not be imparted to a third party nor be used for any unauthorized purpose. Contravention will be prosecuted.



Det.nr	Ant.	Benämning				Material	Mod.nr ämne Dimension	Anm.	
Konstr. —	Ritad AL	Kop. —	Kontr. —	Stand. —	Format A4	Skala 1:20	Generell tolerans —		
		RESTAURANGSTAKET GLASAT STAKET GRUND 2 METER PLASTLOCK				Objektnummer —		Datum 120108	
						Ritningsnummer R00GP9090200FG		Rev.	
Nr.	Ant.	Ändring och/eller medd.-nr	Datum	Inf.	Godk.	BJÖRNSTORPSVÄGEN 2 TFN 0472-44500 342 30 ALVESTA			