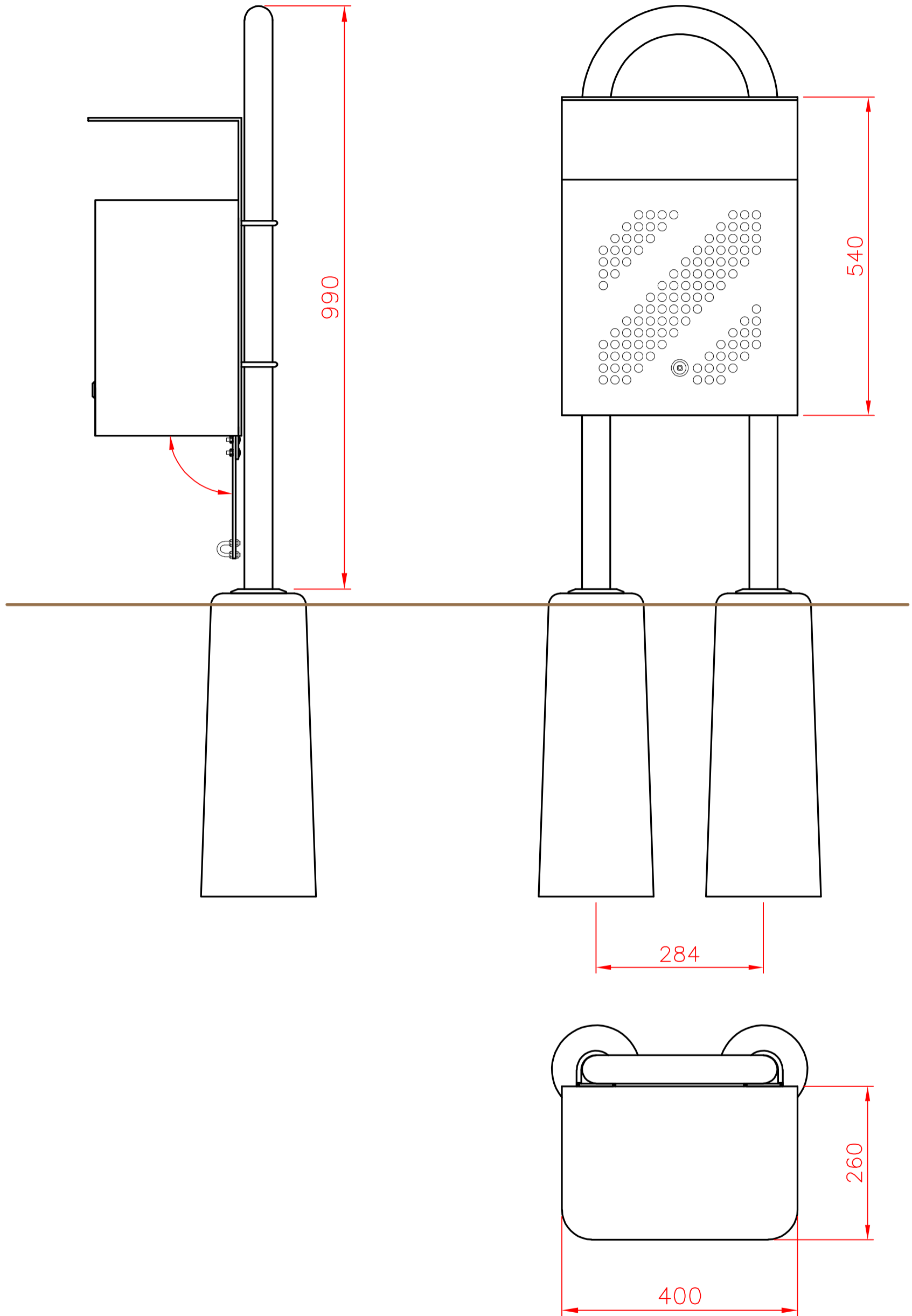


WELAND ALUMINIUM AB
 This document must not be copied without our written permission and the contents thereof must not be imparted to a third party nor be used for any unauthorized purpose. Contravention will be prosecuted.

Nr.	Ant.	Ändring och/eller medd.-nr	Datum	Inf.	Godk.
-----	------	----------------------------	-------	------	-------



-		-		-		-		-		-	
Det.nr	Ant.	Benämning				Material	Mod.nr ämne Dimension	Anm.			
Konstr.	Ritad	Kop.	Kontr.	Stand.	Format	Skala	Generell tolerans				
-	AÅ	-	-	-	A4	1:8	-				
WELAND ALUMINIUM BJÖRNSTORPSVÄGEN 2 TFN 0472-44500 342 30 ALVESTA		HEDE PAPPERSKORG inkl båge och plintar 500-20201000					Objektnummer	Datum		Rev.	
							-	20121114		-	
						Ritningsnummer	HEDE inkl båge			Rev.	
									-		