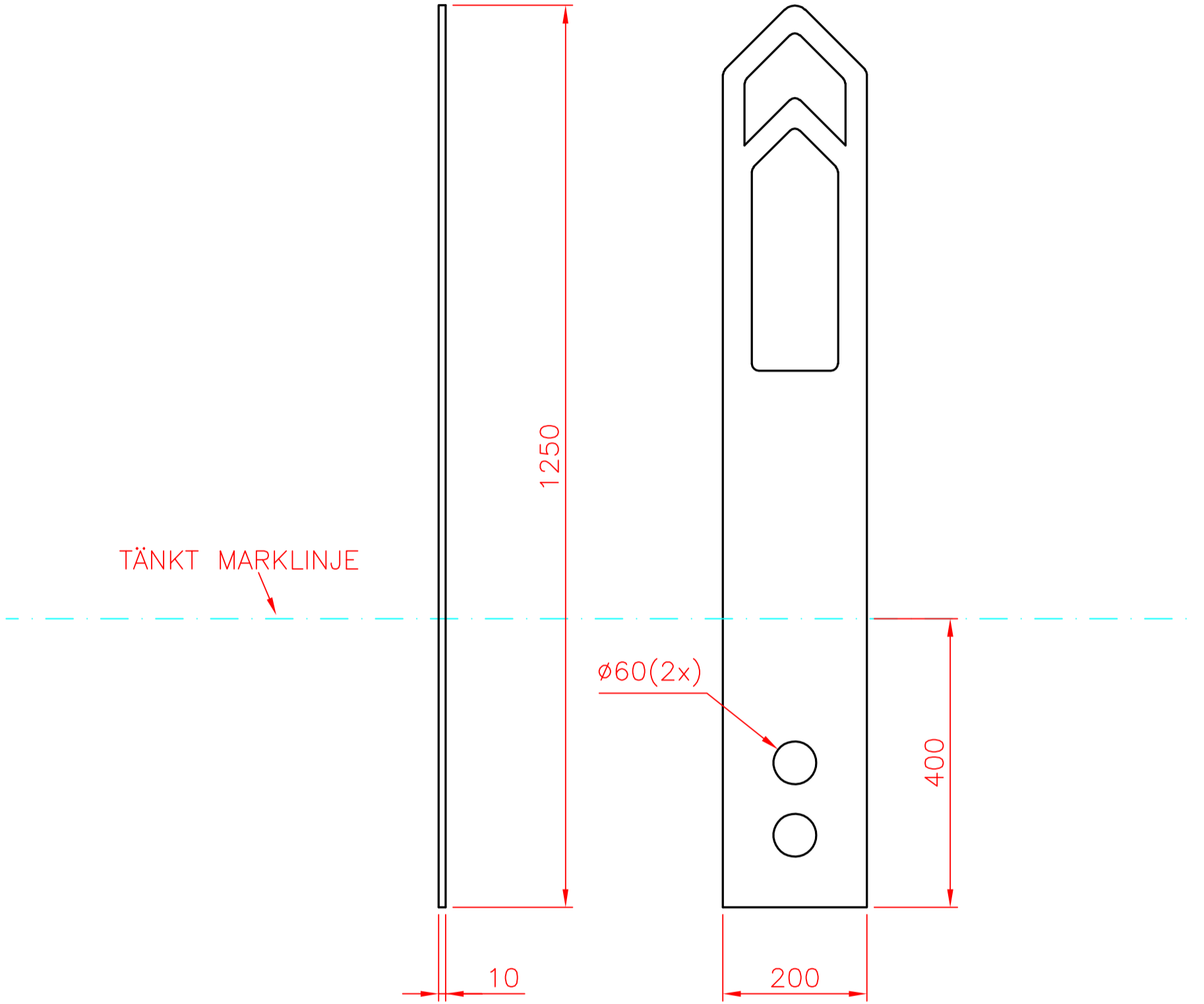


Nr.	Ant.	Ändring och/eller medd.-nr	Datum	Inf.	Godk.
-----	------	----------------------------	-------	------	-------



WELAND ALUMINIUM AB
 This document must not be copied without our written permission and the contents thereof must not be imparted to a third party nor be used for any unauthorized purpose. Contravention will be prosecuted.

—		—		—		10mm STÅL	FZV	—		
Det.nr	Ant.	Benämning			Material	Mod.nr.ämne dimension		Anm.		
Konstr.	Ritad	Kop.	Kontr.	Stand.	Format	Skala	Generell tolerans			
—	AL	—	—	—	A4	1:10	SS-ISO 2768-m			
WELAND ALUMINIUM BJÖRNSTORPSVÄGEN 2 TFN 0472-44500 342 30 ALVESTA		BÅGE RAMLÅS GEMINI FÖR NERGJUTNING (396110123096)					Objektnummer	Datum		
							—	150120		
		Ritningsnummer		Rev.						
		BÅGE RAMLÅS GEMINI		—						